

# Eaton 5110 UPS



Now featuring a  
3-year warranty with  
product registration!

## Product Snapshot

<b>Product rating:</b>	350–1500 VA
<b>Voltage</b>	120V and 230V
<b>Frequency:</b>	50 Hz and 60 Hz, auto-sensing
<b>Configuration:</b>	Plug-and-play tower or under monitor
<b>Topology:</b>	Line-interactive

## Features

- Protect the integrity of your data and applications by shielding electronic equipment from power outages, surges, sags, brownouts, and overvoltage conditions
- Save space with a compact design that can be deployed as a tower or under a computer monitor
- Protect loads on eight outlets—four with surge suppression and battery backup, four with surge suppression only
- Deliver consistent, clean output with automatic voltage regulation (AVR) that doesn't drain battery power
- Extend UPS service life with user-replaceable batteries
- Protect networked equipment from "back door" power surges coming through LAN or telephone lines
- Stay informed of power problems and battery conditions with audible alarms and remote alarm notification via e-mail, pager, the Web, or SNMP
- Deliver short-term mobile power with start-on-battery capability
- USB port and cables are standard
- Rest easy with a three-year limited warranty with product registration and a \$150,000 load protection guarantee (US and Canada); optional multi-year Gold Plan service is available to provide repair and replacement coverage that goes beyond the provisions of the limited warranty

As much as business depends on electric power, public utility power is anything but dependable. By law, public utilities do not have to supply computer-grade power. That's bad news in an age when sensitive computer systems form the core of virtually all business functions. Advances in processing capacity and miniaturization make these systems more susceptible than ever to power fluctuations—and make system crashes and data losses more costly than ever.

According to National Power Laboratories (NPL) and the Electric Power Research Institute, the typical power customer location can experience an average of 24 power disturbances each month, costing the US economy \$119 billion to \$188 billion every year.

You don't have to be a part of those statistics. Effective protection is here, at a very attractive price.

The Eaton® 5110 uninterruptible power system (UPS) provides a layer of defense between your equipment and raw utility power. This line-interactive UPS constantly safeguards your systems from power outages, surges, sags, brownouts, and overvoltage conditions—and provides varying degrees of protection from other power problems as well. If utility power is interrupted, even briefly, the 5110 transfers to battery power.



Powering Business Worldwide

# Introducing the Eaton 5110 UPS

## Affordable protection for small to medium organizations

Incorporating more than 40 years of UPS design experience, the 5110 provides cost-effective power management, backup power, and power quality for office workstations, PBX or key telephone systems, servers, small network nodes, point-of-sale systems, and computer peripheral devices. This UPS is ideal for any small- to mid-sized business or institutional setting where reliable power must be provided at an affordable price.

## Automatic voltage regulation (AVR)—clean power without draining the battery

The 5110 uses AVR to smooth out wide fluctuations in input voltage. If input voltage varies as much as 25 percent over or 23 percent under nominal voltage—which can easily happen when running on generator power or in severe environments—the 5110 accepts this inconsistent voltage and delivers clean, consistent output for protected equipment. AVR enables you to work through even the most frequent brown-outs and power sags.

Unlike typical line-interactive systems, the 5110 does not switch back and forth to battery power to accomplish this voltage regulation—which would shorten battery life and increase battery replacement costs. As a result, battery power is conserved for when you really need it.

## Eight outlets in a low-profile tower

The 5110 occupies a small footprint—about the size of a dictionary for low-power units (500–700 VA), or a sleek tower for higher-rated models (1000–1500 VA). This tower package fits easily under a monitor.

The cost-effective design features eight outlets, four with surge protection and battery backup and four with surge protection only. You can plug less critical equipment, such as printers or monitors, into surge-protection-only outlets that do not drain battery power.

## Protection for data lines

Incoming power lines aren't the only source of damaging surges. Power also travels across network links, such as LANs and telephone lines. The 5110 uses an integral network transient protector to safeguard network-connected equipment—such as fax machines, modems, or electronic telephones—from “back door” power surges coming through network or phone wiring.

## Short-term power for mobile applications

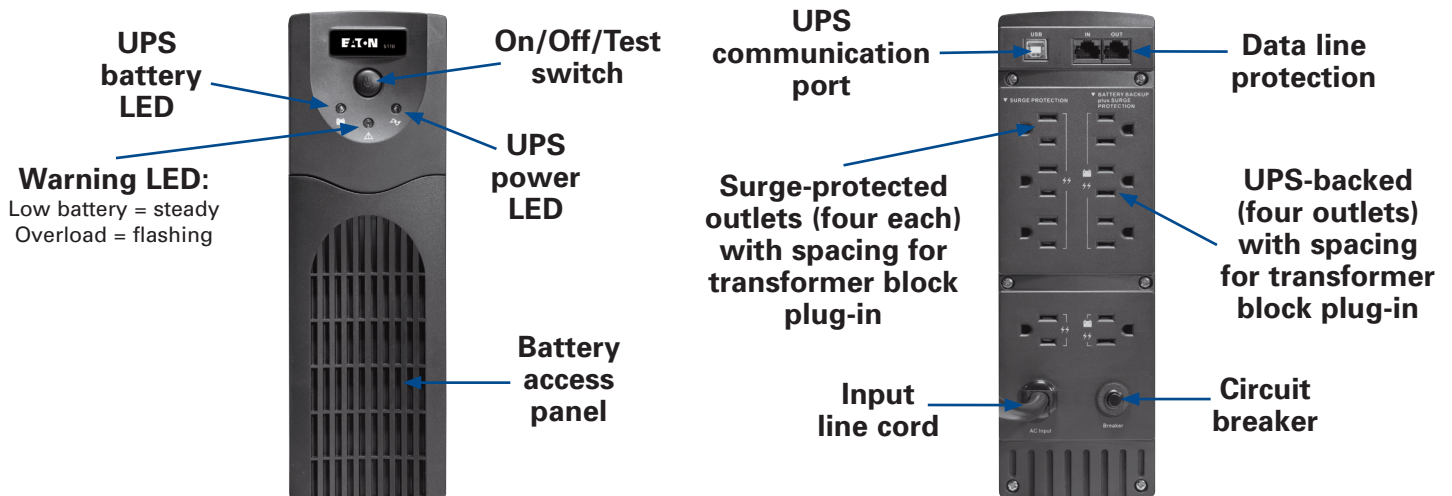
The 5110 supports start-on-battery capability, which means you can unplug the UPS from utility power, then restart and run it from battery power elsewhere. This capability offers tremendous flexibility for short-term powering needs, such as in mobile offices or service vans.

## User-replaceable batteries for extended service life

Many UPS products in this range are useful only up to the service life of their batteries. When the battery fails, the unit is worthless. Not so with the 5110. You can replace the batteries yourself—a simple process that can be performed by easy access through the front panel. When the audible alarm indicates that batteries need replacing, you can safely and easily install supplied batteries and remove the old batteries for proper disposal and recycling. You can also choose to return the entire unit for repair or battery replacement under our warranty and service programs.

## Easy-to-understand LEDs and audible alarms

You never have to guess about the status and condition of your 5110. Simple LED indicators and audible alarms warn of power problems and low battery conditions. The Battery LED illuminates when the UPS is operating on battery power. The Warning LED turns on when the battery is low and flashes under overload conditions.



**The 5110 delivers confidence—confidence that your vital business equipment is protected and confidence that Eaton will be there with you for the long term.**

**Remote UPS monitoring from anywhere**

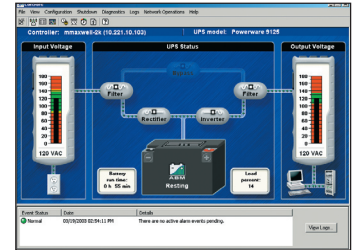
You don't have to be within sight of the UPS to stay informed. You can connect the 5110 to a network using the built-in USB port, and monitor its working status. The UPS comes with Eaton LanSafe® software, free of charge. This UPS management software gives you control and visibility over all your UPSs, using an intuitive, graphical interface.

**Warranty coverage with load protection guarantee**

Rest easy with industry-leading protection from Eaton. The 5110 is backed by a two-year limited warranty and a \$150,000 load protection guarantee. We're that confident of the performance and reliability of the 5110.

To find out more about how the 5110 can protect your critical equipment, applications, and data:

**[www.eaton.com/powerquality](http://www.eaton.com/powerquality)  
800-356-5794**



**5110 technical specifications<sup>1</sup>**

**OPERATION**

Input voltage range	0–160Vac/0–300Vac
Output voltage range	Nominal -23% to +25%
On battery output voltage	Nominal -12% to +10%
Frequency	50/60 Hz auto sensing
Lighting / surge protection	120V models 320 joules; 230V models 476 joules
Safety	UL 1778, designed to meet UL497A, CAN/CSAOC22.2 No107.1/IEC 62040-1-1: CE low voltage directive
EMI	FCC Class B/IEC 62040-2, EN55022: Class B: CE EMC directive
Transfer time to battery/AC	2-6 msec. typical
Battery type	Sealed, maintenance free lead-acid battery
Typical backup time	Three minutes at full rated load
Internet / phone / fax protection	RJ11/RJ45
Short circuit protection	Circuit breaker
Communication port	USB

**ENVIRONMENTAL**

Operation temperature	0°C ~ 40°C
Operation relative humidity	0 to 95% non-condensing
Storage temperature	-15°C ~ 50°C

**SOFTWARE**

LanSafe software is included free of charge

**SERVICE PLANS**

PRODUCT	LENGTH OF SERVICE	GOLD PLAN PART NUMBER
5110 500-1500 VA	Three years	3XXGX5100XALLCX
5110 500-1500 VA	Five years	5XXGX5100XALLCX

**REPLACEMENT BATTERIES**

MODEL NUMBER	PART NUMBER	DESCRIPTION
PW5110 500 VA	106711159-001	BATT. KIT 500 VA PW5110
PW5110 700 VA	106711160-001	BATT. KIT 700 VA PW5110
PW 5110 1000 VA	106711161-001	BATT. KIT 1000 VA PW5110
PW5110 1500 VA	106711162-001	BATT. KIT 1500 VA PW5110

1. Specifications are subject to change without notice due to continuing product improvement programs.

## 5110 NORTH AMERICAN MODELS: 120V, 50/60 Hz

Model	Part Number	Power Out (VA/Watt)	Input Connection	Output Receptacles	Dimensions (H x W x D, inches)	Weight (lb)
PW5110 500	103004256-5591	500/300	1.8m line cord with 90 deg. 5-15P	(8) 5-15R Outlets*	10.6 x 3.4 x 10.2	12.1
PW5110 700	103004257-5591	700/420	1.8m line cord with 90 deg. 5-15P	(8) 5-15R Outlets*	10.6 x 3.4 x 10.2	15.2
PW5110 1000	103004258-5591	1000/600	1.8m line cord with 90 deg. 5-15P	(8) 5-15R Outlets*	10.6 x 3.4 x 15.1	28.0
PW5110 1500	103004259-5591	1440/900	1.8m line cord with 90 deg. 5-15P	(8) 5-15R Outlets*	10.6 x 3.4 x 15.1	29.1

## 5110 INTERNATIONAL MODELS: 230V, 50/60 Hz

Model	Part Number	Power Out (VA/Watt)	Input Connection	Output Receptacles	Dimensions H x W x D (inches)	Weight (lb)
PW5110 500i	103004261-5591	500/300	IEC C14 inlet, 1.8 meter line patch cord IEC to IEC	(8) IE C13 Outlets*	10.6 x 3.4 x 10.2	13.4
PW5110 700i	103004262-5591	700/420	IEC C14 inlet, 1.8 meter line patch cord IEC to IEC	(8) IE C13 Outlets*	10.6 x 3.4 x 10.2	16.5
PW5110 1000i	103004263-5591	1000/600	IEC C14 inlet, 1.8 meter line patch cord IEC to IEC	(8) IE C13 Outlets*	10.6 x 3.4 x 15.1	29.1
PW5110 1500i	103004264-5591	1500/900	IEC C14 inlet, 1.8 meter line patch cord IEC to IEC	(8) IE C13 Outlets*	10.6 x 3.4 x 15.1	30.2

\* Four battery backup & surge protection; four surge protection only.

## 5110 BATTERY BACKUP TIMES (in minutes)

Load (VA)	30W	60W	90W	120W	150W	180W	210W	240W	270W	300W	330W	360W	390W	420W
500	52	35	22	14	11	8	6	5	4	3	-	-	-	-
700	63	46	34	23	16	12	10	8	7	6	5	4	4	3
Load (VA)	120W	180W	240W	300W	360W	420W	480W	540W	600W	660W	720W	780W	840W	900W
1000	52	35	23	17	13	10	9	7	5	-	-	-	-	-
1500	62	43	29	20	16	14	12	11	9	8	7	6	5	4.4

Note: Battery runtimes are approximate and may vary with equipment, configuration, battery age, temperature, etc.

UNITED STATES  
8609 Six Forks Road  
Raleigh, NC 27615 U.S.A.  
Toll Free: 1.800.356.5794

[www.eaton.com/powerquality](http://www.eaton.com/powerquality)

CANADA  
Ontario: 416.798.0112  
Toll free: 1.800.461.9166

LATIN AMERICA  
Brazil: 55.11.3616.8500  
Caribbean: 1.949.452.9610  
México & Central America:  
52.55.9000.5252  
South Cone: 54.11.4343.6323

EUROPE/MIDDLE EAST/AFRICA  
Denmark: 45.3686.7910  
Finland: 358.94.52.661  
France: 33.1.6012.7400  
Germany: 49.0.7841.604.0  
Italy: 39.02.66.04.05.40  
Norway: 47.23.03.65.50  
Sweden: 46.8.598.940.00  
United Kingdom: 44.1753.608.700

ASIA PACIFIC  
Australia: 61.2.9693.9366  
New Zealand: 64.0.3.343.3314  
China: 86.21.6361.5599  
HK/Korea/Taiwan: 852.2745.6682  
India: 91.11.4223.2300  
Singapore/SEA: 65.6825.1668

Eaton, Powerware and LanSafe are trade names, trademarks and/or service marks of Eaton Corporation or its subsidiaries and affiliates.

All other trademarks are property of their respective owners.

©2009 Eaton Corporation  
All Rights Reserved  
Printed in USA  
5110FXA  
September 2009