

19-Inch Rack Mount Surge Protective Device (SPD)

APPLICATION

Leviton 5500/5505 devices are designed for mounting on 19-inch racks where transient voltage surge suppression is desired for rack-mounted electronic equipment. Each device offers a total of 12 protected outlets (10 in back and 2 in front) to provide easy plug-in convenience for all mounted equipment. Advanced circuit design offers extremely tight clamping levels and exceptional noise attenuation. Each unit is provided with power, protection, and outlet polarity/ground status LED diagnostics, a resettable overload circuit breaker and a 12-foot power supply cord.



SPECIFICATION

The surge protection devices shall have the ability to be installed horizontally in a 19" rack or cabinet. Surge protection devices shall include 12 outlet receptacles, accept an input voltage of 120V and shall have models to accept 15A and 20A of current with appropriate input plugs. Surge protection devices shall have models with and without a power switch, and all devices shall include a resettable overload circuit breaker.

FEATURES

- Resettable circuit breaker protects against overloading
- 12 receptacles: 10 in back, 2 in front
- 20-amp versions available with either straight blade or locking input plug
- LED diagnostics for power, protection, and outlet polarity/ground status

DESIGN CONSIDERATIONS

- 5500 series peak surge current is 72 kA
- 5505 series peak surge current is 27 kA
- All units offer 12 receptacles (10 in back, 2 in front)
- Mounts horizontally on 19" racks or cabinets
- 12-foot power supply cord

STANDARDS COMPLIANCE

- UL 1363 Relocatable Power Taps, UL Recognized Component {E118936}
- ANSI/UL 1449 Surge Protective Devices, UL Recognized Component, Type 4 SPD evaluated for use in Type 3 applications {E317603}

PHYSICAL SPECIFICATIONS

5500: 1.75" x 19.00" x 4.55" (H x W x D)

5505: 1.75" x 19.00" x 2.50" (H x W x D)

COUNTRY OF ORIGIN

Mexico

WARRANTY INFORMATION

Go to www.leviton.com/warranty.

STANDARD SPECIFICATIONS

Electrical Specifications	5500-190/-15N/-15L/-NL	5500-192/-20N/-20L/-2NL	5505-190
Rated Line Voltage	120V	120V	125V
Max. Load Current	15A	20A	15A
Max. Continuous Operating Voltage	135V	135V	150V
Operating Frequency Range	50/60Hz		
Circuit Type	Staged-Multi Component Series		
Max. Single-Pulse Transient Current (8x20 μs, Amps peak)	33,000A		10,000A
Peak Surge Current	72kA		27kA
EMI/RFI Noise Rejection @ 100 Hz - 30 MHz	-10 to -35dB		-5 to -40dB
Cat. A Ringwave (6kV, 200A, 100kHz)	190V		
Cat. B Ringwave (6kV, 500A, 100kHz)	210V		
Cat. B Impulse (6kV, 3kA, 8x20 μs)	310V	310V	
Clamping Voltage (8x20 μs @ 500A)	330V		400V
Physical Specifications	5500-190/-15N/-15L/-NL	5500-192/-20N/-20L/-2NL	5505-190
Operating Temperature Range	-10° C to 60° C		
Storage Temperature Range	-35° C to 60° C		
Dimensions (H x W x D)	1.75" x 19.00" x 4.55"		1.75" x 19.00" x 2.5"

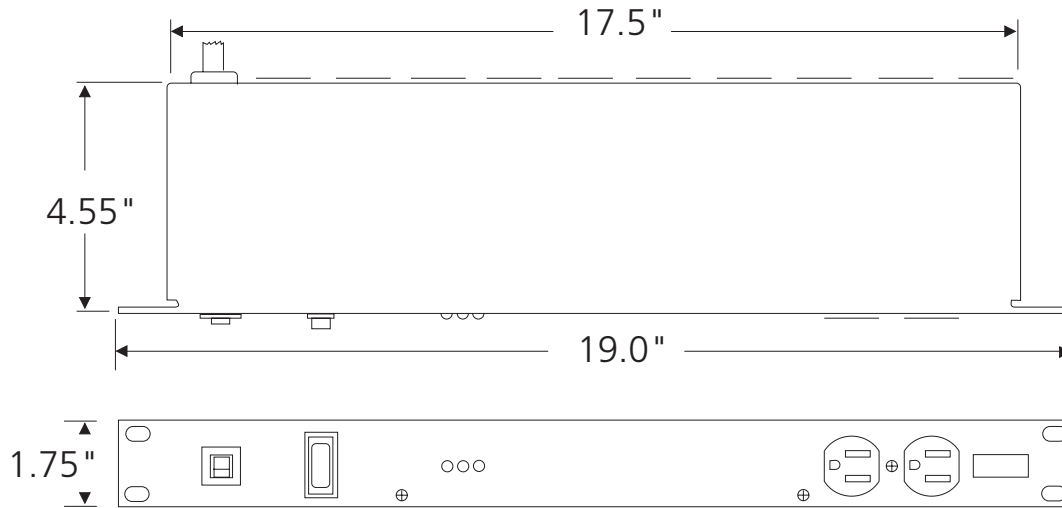
5500/5505 SERIES RACK MOUNT SURGE PROTECTIVE DEVICE (SPD)

Part No.	Footprint	On/Off Switch		Input				Output		
		Yes	No	Input Voltage	Amps	Input Plug	Cord Length	Output Voltage	Receptacle Type	Receptacle Quantity
5500-190	Horizontal/Rack Mount	•		120V	15A	5-15P	12'	120V	5-15R	12
5500-192	Horizontal/Rack Mount	•		120V	20A	5-20P	12'	120V	5-20R	12
5500-20L	Horizontal/Rack Mount	•		120V	20A	L5-20P	12'	120V	5-20R	12
5500-15N	Horizontal/Rack Mount		•	120V	15A	5-15P	12'	120V	5-15R	12
5500-20N	Horizontal/Rack Mount		•	120V	20A	5-20P	12'	120V	5-20R	12
5500-2NL	Horizontal/Rack Mount		•	120V	20A	L5-20P	12'	120V	5-20R	12
5505-190	Horizontal/Rack Mount	•		120V	15A	5-15P	12'	120V	5-15R	12

ELECTRONIC FILES

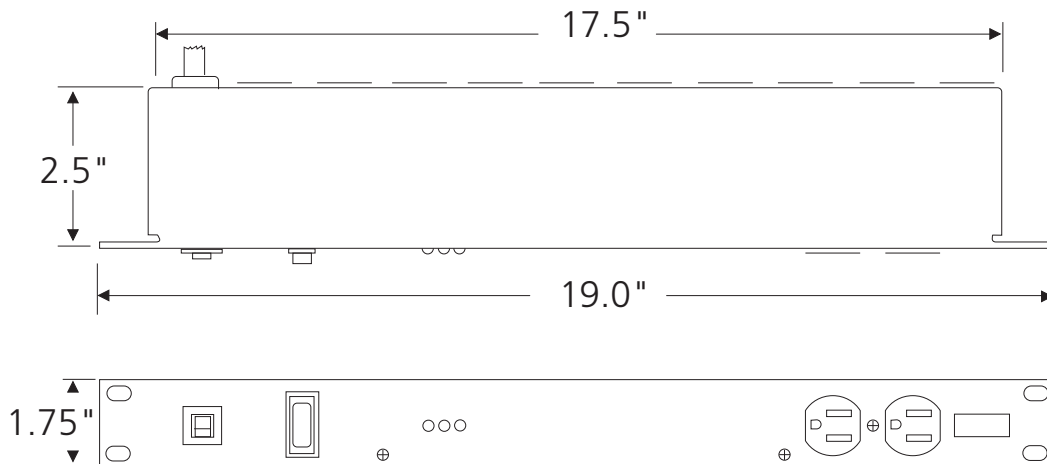
For CAD files, typical specs, or technical drawings (.DXF, .DWG), visit www.leviton.com.

5500



5500/5505-XXX

5505



Leviton Network Solutions
2222 - 222nd St. SE
Bothell, WA 98021-4416

Asia / Pacific
T +1.631.812.6228
E infoasean@leviton.com

Canada
T +1.514.954.1840
E pcservice@leviton.com

Caribbean
T +1.954.593.1896
E infocaribbean@leviton.com

China
T +852.2774.9876
E infochina@leviton.com

Colombia
T +57.1.743.6045
E infocolombia@leviton.com

tel 1-800-824-3005
tel +1-425-486-2222
appeng@leviton.com
www.leviton.com

Europe
T +33.6.8869.1380
E infoeurope@leviton.com

India / SAARC
T +91.80.4322.5678
E infoindia@leviton.com

Mexico
T +52.55.5082.1040
E lsamarketing@leviton.com

Middle East & Africa
T +971.4.886.4722
E lmeinfor@leviton.com

South Korea
T +82.2.3273.9963
E infokorea@leviton.com