

## PROLINE® Containment System

## PROLINE® Containment System

**Application**

The PROLINE® Containment System prevents hot and cold airflows from mixing. The system increases cooling efficiency, lowers energy costs, allows for higher thermal density within the cabinet and eliminates the need to buy additional cooling units. Use for either hot or cold air containment and on raised and non-raised floors. The PROLINE Containment System is easy to order and to install.

Customize your Containment System by purchasing the Aisle Doors, Ceiling Panels with Windows, Chimney and Ceiling Panels for Chimney separately.

**Features**

- Aisle door slides to the right to provide quick access to aisle way
- Easy to order
- Accommodates 36-in. (OSHA minimum aisle widths) and 48-in. (two-floor-tile-wide) aisle ways
- Ergonomically positioned grab handles on interior and exterior of contained aisle
- Clear, transparent door and roof panels provide maximum light to aisleway
- Tool-less Ceiling Panels are easy to install and remove for cleaning and provide above-the-cabinet access to cables, equipment and systems
- Window Ceiling Panels have easily modified .22-in. polycarbonate panels to accommodate local fire-suppression codes (sprinkler heads)
- Chimney Ceiling Panels are used with chimney to direct hot exhaust air into drop ceiling, duct work or other means back to the computer room cooling devices
- Chimney comes in two heights to fit a wide range of applications

**Specifications****Aisle Doors**

- Composite construction of 16, 14 and 12 gauge steel
- Aluminum track and steel trolley with composite wheels
- Safety glass door is mechanically fastened to steel frame

**Window Ceiling Panels**

- Frame made of 16 gauge steel
- Overhead panel made of .22-in. polycarbonate

**Chimney Ceiling Panels**

- Frame made of 16 gauge steel
- Purchase Chimney separately

**Chimney**

- Made of 18 gauge steel
- Two sizes to fit various ceiling heights
- Infinite adjustment between minimum and maximum extension
- Bulb gasket seals against flat surfaces and ceilings
- S-connectors provided for duct work connection
- Purchase Chimney Ceiling Panel separately

**Finish**

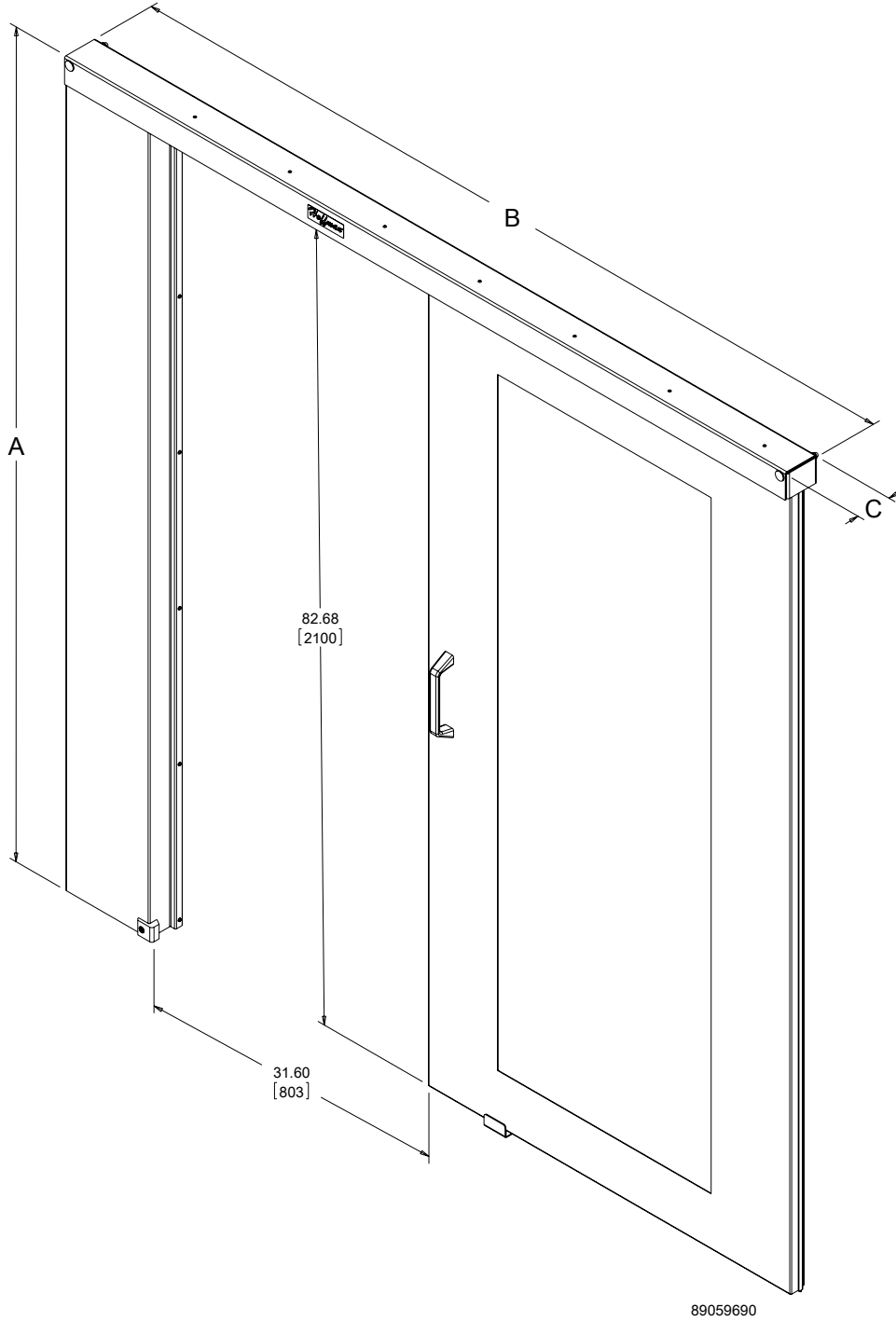
Prepared surface coated in polyester powder low-gloss, lightly textured RAL 9005 black

Bulletin: DPY

# PROLINE® Containment System

## Standard Product Aisle Doors

Catalog Number	AxBxC mm/in.	Aisle Width mm/in.
PCAD2	2175 x 2175 x 93 85.63 x 85.63 x 3.68	914 or 1219 36.00 or 48.00



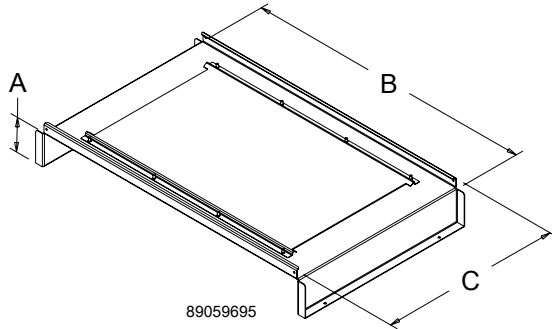
## PROLINE® Containment System

### Window Ceiling Panel



- Frame made of 16 gauge steel
- Overhead panel made of .22-in. polycarbonate

Bulletin: DPY



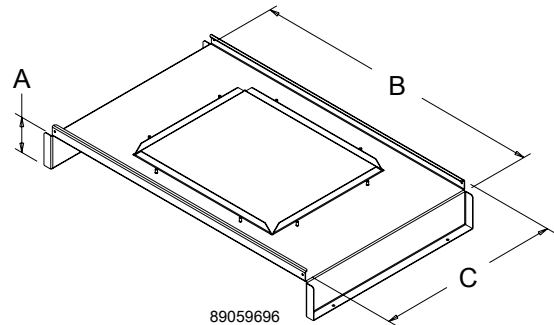
Catalog Number	AxBxC mm/in.	Aisle Width mm/in.	Use With Cabinet Width
PCP69	143 x 1309 x 597	914	600 mm
	5.63 x 51.52 x 23.50	36	
PCP79	143 x 1309 x 697	914	700 mm
	5.63 x 51.52 x 27.44	36	
PCP89	143 x 1309 x 797	914	800 mm
	5.63 x 51.52 x 31.38	36	
PCP612	143 x 1309 x 597	1219	600 mm
	5.63 x 51.52 x 23.50	48	
PCP712	143 x 1309 x 697	1219	700 mm
	5.63 x 51.52 x 27.44	48	
PCP812	143 x 1309 x 797	1219	800 mm
	5.63 x 51.52 x 31.38	48	

### Chimney Ceiling Panel



- Frame made of 16 gauge steel
- Image shows Chimney attached to the Chimney Ceiling Panel; purchase Chimney separately

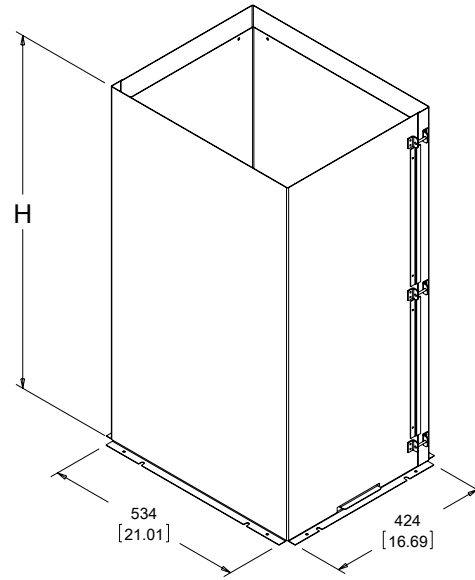
Bulletin: DPY



Catalog Number	AxBxC mm/in.	Fits Aisle Width mm/in.	Use With Cabinet Width
PCPC69	143 x 1009 x 597	914	600 mm
	5.63 x 39.71 x 23.50	36	
PCPC79	143 x 1009 x 697	914	700 mm
	5.63 x 39.71 x 27.44	36	
PCPC89	143 x 1009 x 797	914	800 mm
	5.63 x 39.71 x 31.38	36	
PCPC612	143 x 1009 x 597	1219	600 mm
	5.63 x 39.71 x 23.50	48	
PCPC712	143 x 1009 x 697	1219	700 mm
	5.63 x 39.71 x 27.44	48	
PCPC812	143 x 1009 x 797	1219	800 mm
	5.63 x 39.71 x 31.38	48	

## PROLINE® Containment System

### Containment System Chimney



89059771

- Made of 18 gauge steel
- Two sizes to fit various ceiling heights
- Infinite adjustment between minimum and maximum extension
- Bulb gasket seals against flat surfaces and ceilings
- S-connectors provided for duct work connection
- Purchase Chimney Ceiling Panel separately

Bulletin: DPY

Catalog Number	AxBxC mm/in.	Ceiling Height mm/in.	H min mm/in.	H max mm/in.
PCM1	457 x 534 x 424	2600 to 3057	613	1067
	18.00 x 21.01 x 16.69	102.36 to 120.36	24.13	42.00
PCM2	762 x 534 x 424	2905 to 3667	918	1676
	30.00 x 21.01 x 16.69	114.36 to 144.36	36.13	66.00